

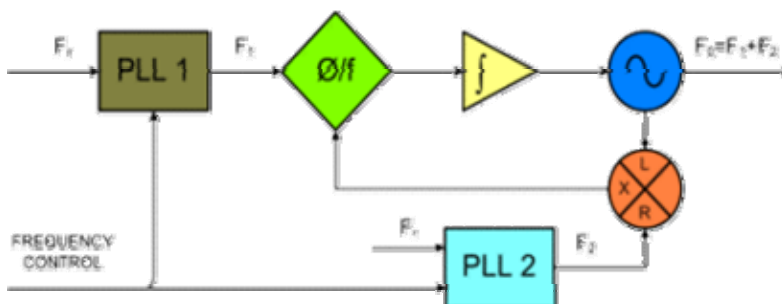
Custom Configurations

● Features

- Fundamental operation in bands up to 20 GHz
- 100 kHz step resolution (typical)
- Excellent phase noise
- Power output to 23 dBm
- Excellent spectral purity
- Serial frequency control
- Internal (to ± 1 PPM) or external frequency reference
- Small size
- Low cost



● Block Diagram



● Description

Fundamental units are available to 8 GHz. These units have a typical resolution of 100 kHz and offer high spectral quality. In addition, these units are serially programmable via an RS485 bus. The configuration can support up to 20 synthesizers on one bus. The units are EMI isolated and exhibit minimal RF radiation.

● Sample of Specific Product Data Sheets (PDF)

- 8400 to 9700 MHz frequency synthesizer with 100 kHz steps, Internal reference, power output +23dBm and a RS484 interface - Model: [TLSC84009700/100K/INT-1](#)

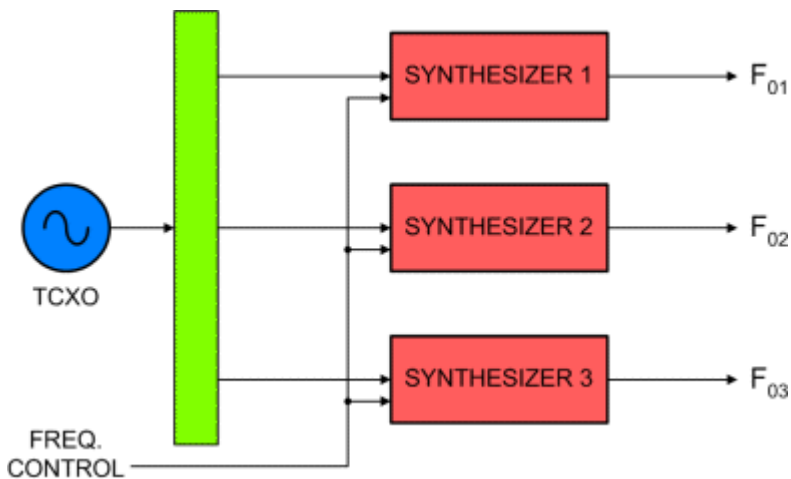
Custom Assemblies

● Features

- 3 independent miniature synthesizers operating in bands up to 8 GHz
- Low phase noise
- Low spurious
- Internal reference TCXO (± 1 PPM)
- Small size
- Low cost



● Block Diagram



● Description

This small integrated assembly consists of 3 independent (SLSM4) X-Band synthesizers. There is an internal TCXO frequency reference providing ± 1 PPM accuracy and stability to the output signals. The synthesizer are controlled via a 3 wire bus. This is a rugged miniature EMI packaged assembly that provides a diverse function at a low cost.

● Sample of Specific Product Data Sheets (PDF)

- [Model FSC-033](#)