

Temperature Compensated Crystal Oscillators

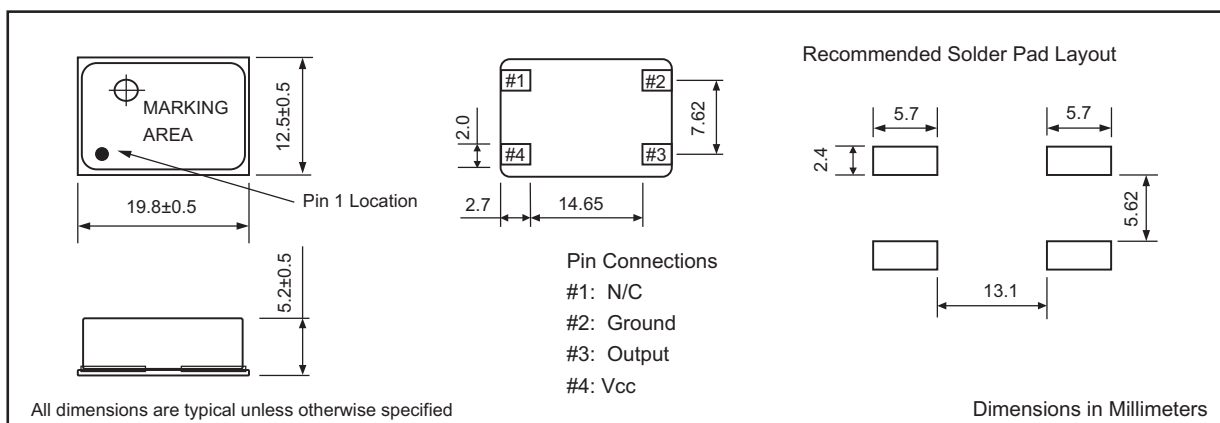


P/N: FTTC800-100M000-AI010B

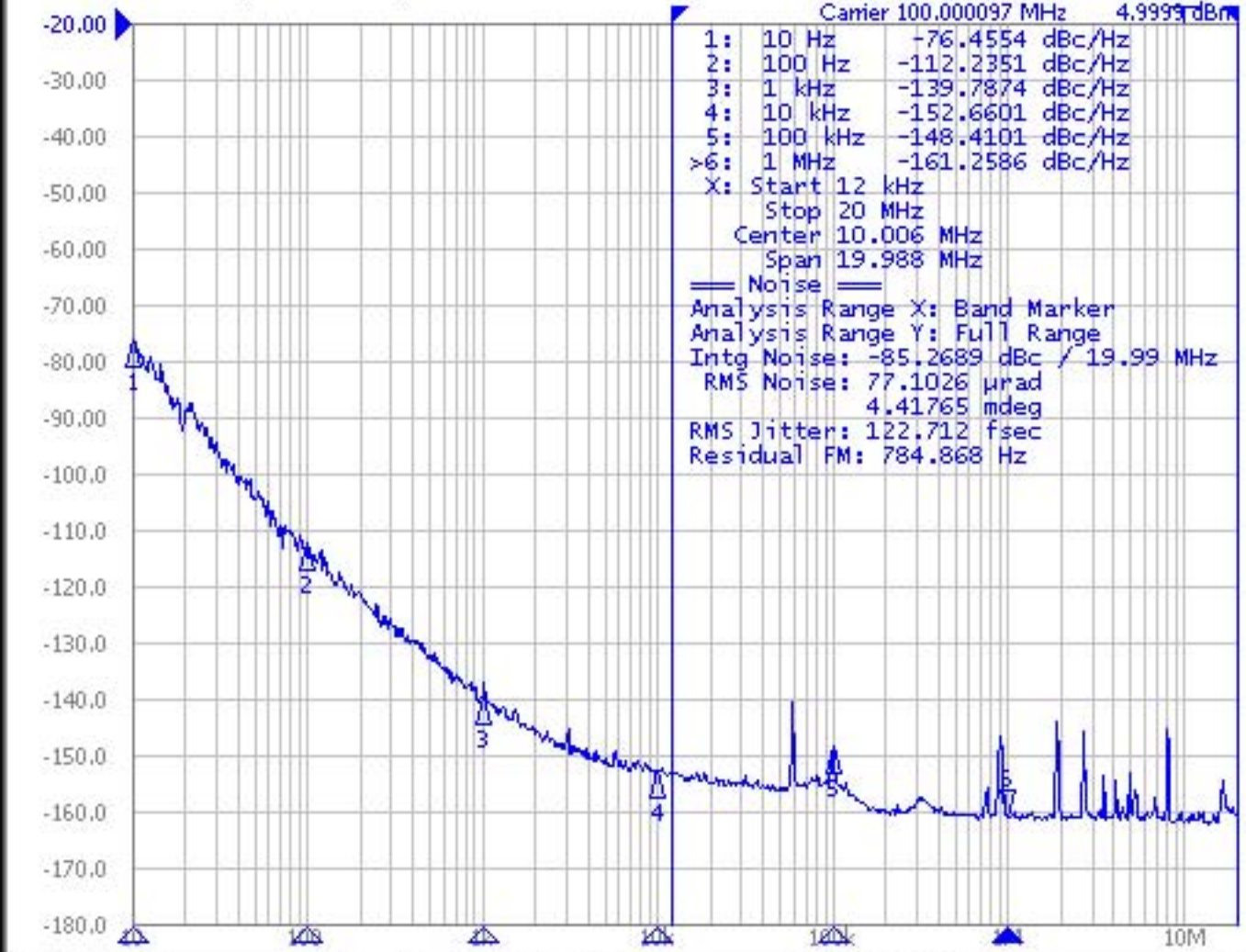
SPECIFICATIONS

Frequency	100.000 MHz
Supply Voltage (Vcc)	A = 5.0 VDC \pm 5%
Input Current	30 mA Maximum
Storage Temperature	-45°C to 95°C
Controllable Frequency Option	I = Internal trimmer: \pm 3 ppm Minimum
Frequency Stability vs Temp. Temperature Range	010 = \pm 1 ppm B = -40°C to 85°C
Frequency Stability vs Vcc	\pm 0.2 ppm Maximum / Vcc \pm 5%
Frequency Stability vs Load	\pm 0.2 ppm Maximum / \pm 10%
Aging	\pm 1 ppm Maximum per year @25°C
Phase Noise (Typ)	-76 dBc/Hz at 10Hz -112 dBc/Hz at 100Hz -140 dBc/Hz at 1KHz -152 dBc/Hz at 10KHz -161 dBc/Hz at 1MHz
Output Load	50 Ohms
Output Waveform	Sine wave
Output Level	10 dBm Typ for 5.0V part
Harmonic Attenuation	-30 dB Typ
Spurious Attenuation	-75 dB Typ

OUTLINE DRAWING



Phase Noise 10.00dB/ Ref -20.00dBc/Hz



Trigger

Trigger to Phase Noise

Hold

Single

Continuous

Restart

Manual Trigger

Source Internal

Ext Trig Polarity Negative

Average Trigger OFF

Return

IF Gain 20dB Freq Band [99M-1.5GHz] LO Opt [<150kHz] 814pts

Phase Noise Start 10 Hz Stop 20 MHz 8/8