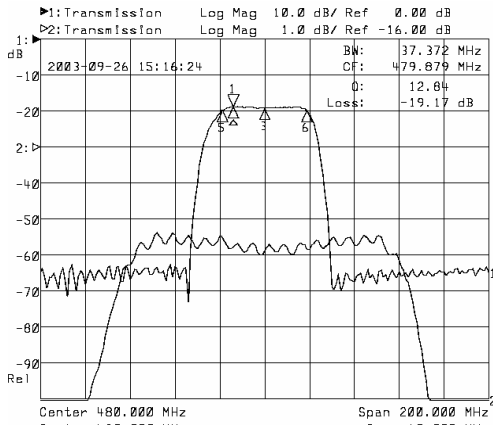
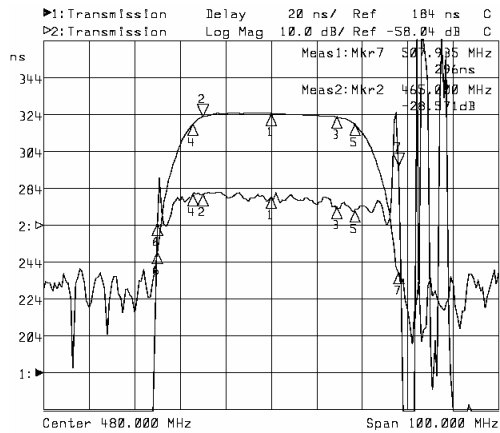


480 MHz Standard Filter
Part Number 480390

Typical Performance



Horizontal: 20MHz/Div & 10MHz/Div
 Vertical: 10dB/Div & 1dB/Div

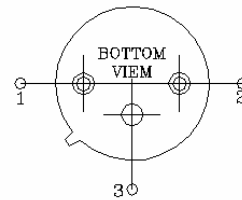
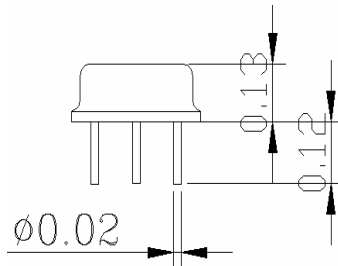
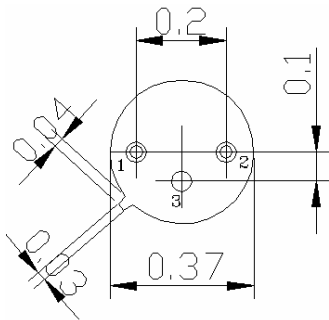


Horizontal: 10MHz/Div
 Vertical: 20ns/Div

Specifications

Parameter	Unit	Minimum	Typical	Maximum
Center Frequency	MHz	479.5	480	480.5
Insertion Loss at F ₀	dB		19.5	20.5
1 dB Bandwidth	MHz		36.5	
3 dB Bandwidth	MHz		39.5	
40dB Bandwidth	MHz		64.0	
Passband Variation	dB		1.0	
Group Delay Variation	nsec		20	
Absolute Delay	usec		0.2	
Ultimate Rejection	dB		45	
Substrate Material	-		128LiNbO3	
Ambient Temperature	°C		25	

Package TO-39



TO-39 IN: 1
 OUT: 2
 GNP: 3