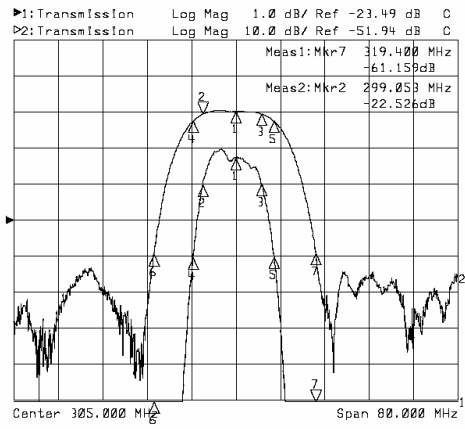
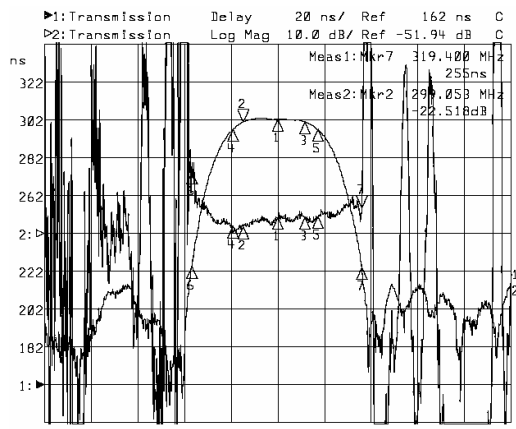


**305 MHz Standard Filter**  
**Part Number 305125**

**Typical Performance**



Horizontal: 8MHz/Div  
 Vertical: 10dB/Div

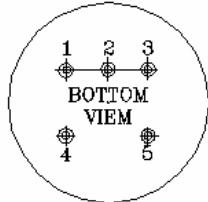
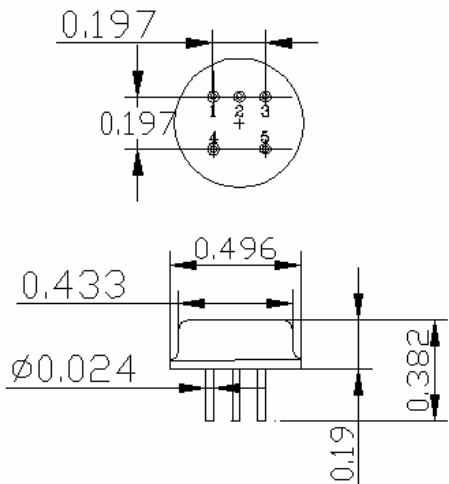


Horizontal: 8MHz/Div  
 Vertical: 10ns/Div

**Specifications**

Parameter	Unit	Minimum	Typical	Maximum
Center Frequency	MHz	304.5	305.0	305.5
Insertion Loss at F <sub>0</sub>	dB		22.5	24.0
1 dB Bandwidth	MHz	10.0	10.1	
3 dB Bandwidth	MHz	13.0	14.1	
40dB Bandwidth	MHz		29.2	30.0
Passband Variation	dB		0.6	0.8
Group Delay Variation	nsec		15	20
Absolute Delay	usec		0.25	
Ultimate Rejection	dB	42	45	
Substrate Material	-		112-LiTaO3	
Ambient Temperature	°C	-40	25	85

**Package TO-5**



TO-5 IN:3  
 OUT:4  
 GND:1,2,5