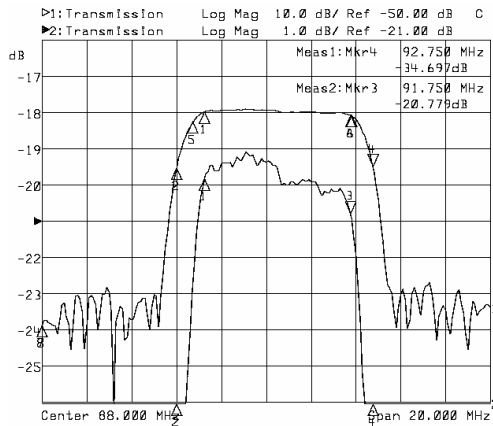


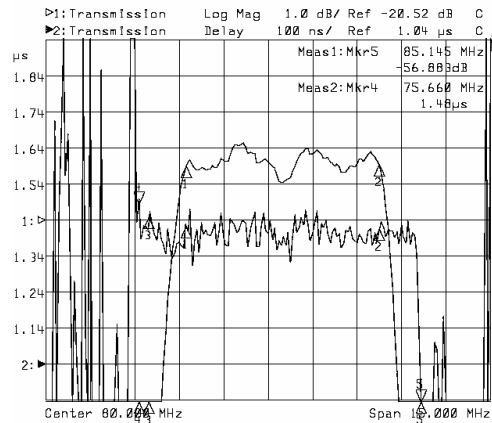
# 88.5MHz Standard Filter

## Part Number 089070

### Typical Performance



Horizontal: 2MHz/Div  
Vertical: 10dB/Div



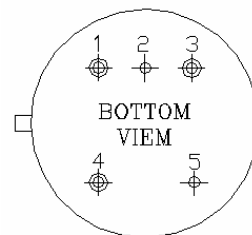
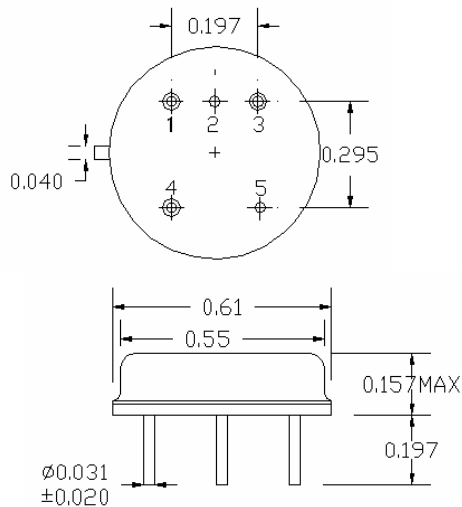
Horizontal: 1.5MHz/Div  
Vertical: 100nsec/Div

### Specifications

Parameter	Unit	Minimum	Typical	Maximum
Center Frequency	MHz	88.40	88.50	88.60
Insertion Loss	dB		20.00	20.50
85.25MHz	dB		-0.51	-1.01
91.75MHz	dB		-0.54	-1.02
84.00MHz	dB		-20.02	-22.03
Passband Variation	dB		0.50	0.80
Group Delay Variation	nsec		80	120
Absolute Delay	usec		1.51	1.52
Ultimate Rejection	dB	48	50	
Substrate Material	-		128-LiNbO3	
Ambient Temperature	°C	-40	25	80

### Package

SFA02



SFA02  
IN: 4  
OUT: 3  
GND: 1,2,5