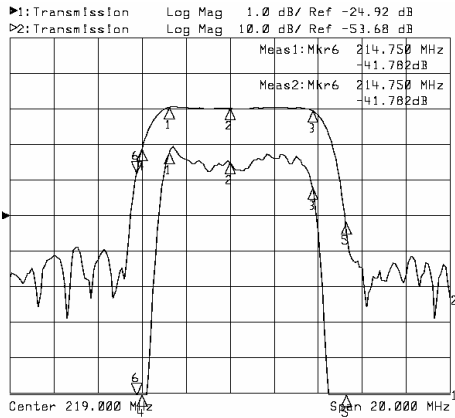
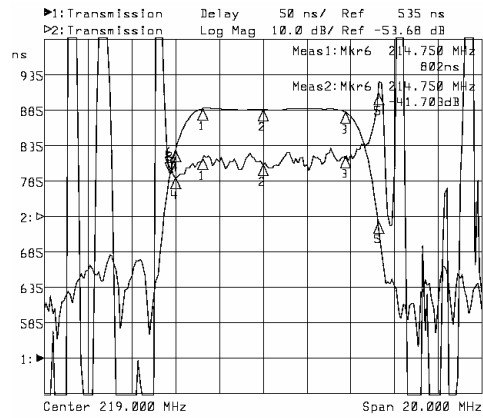


CATV VSB Filter For TV Modulator(PAL)
Part Number CH12B

Typical Performance



Horizontal: 2MHz/Div
 Vertical: 10dB/Div

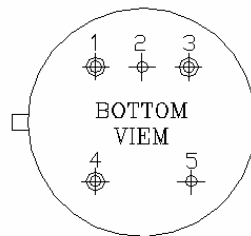
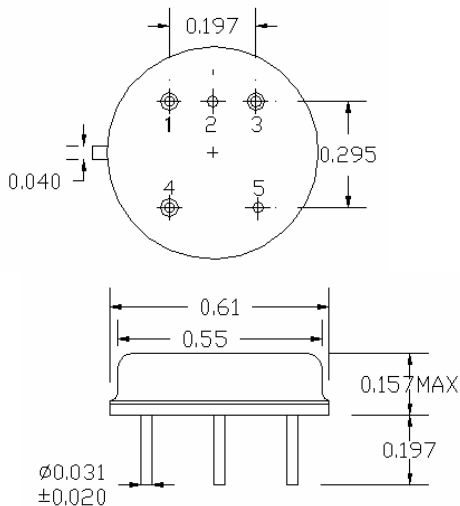


Horizontal: 2MHz/Div
 Vertical: 50nsec/Div

Specifications

Parameter	Unit	Minimum	Typical	Maximum
Center Frequency	MHz	218.90	219.00	219.10
Insertion Loss	dB		23.50	24.02
216.25MHz	dB		-0.51	-1.02
222.75MHz	dB		-1.00	-1.54
215.00MHz	dB	-10.01	-12.00	
Passband Variation	dB		0.80	1.00
Group Delay Variation	nsec		40	60
Absolute Delay	usec		0.70	0.72
Ultimate Rejection	dB	38	40	
Substrate Material	-		128-LiNbO3	
Ambient Temperature	°C	-40	25	80

Package SFA02



SFA02
 IN: 4
 OUT: 3
 GND: 1,2,5