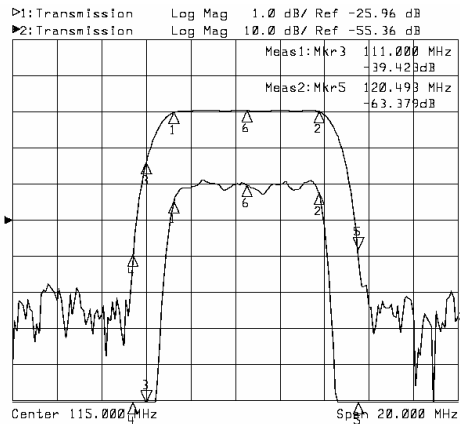
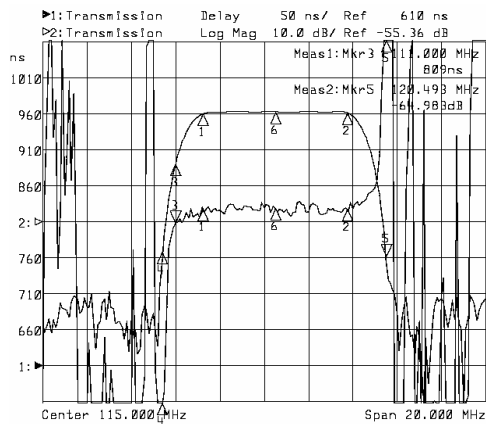


CATV VSB Filter For TV Modulator (PAL)
Part Number ZCH1

Typical Performance



Horizontal: 2MHz/Div
 Vertical: 10dB/Div

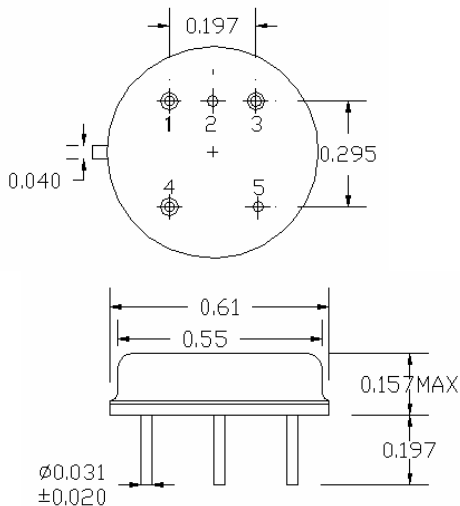


Horizontal: 2MHz/Div
 Vertical: 50nsec/Div

Specifications

Parameter	Unit	Minimum	Typical	Maximum
Center Frequency	MHz	114.90	115.00	115.10
Insertion Loss	dB		24.52	25.53
112.25MHz	dB		-0.51	-1.04
118.75MHz	dB		-0.82	-1.24
111.00MHz	dB	-15.02	-17.00	
Passband Variation	dB		0.50	0.80
Group Delay Variation	nsec		30	50
Absolute Delay	usec		0.80	0.82
Ultimate Rejection	dB	40	45	
Substrate Material	-		112-LiTaO3	
Ambient Temperature	°C	-40	25	80

Package SFA02



SFA02
 IN: 4
 OUT: 3
 GND: 1,2,5