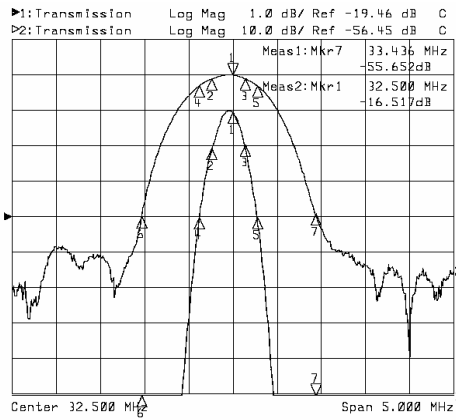
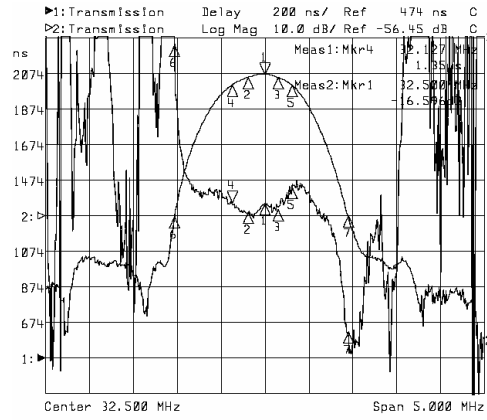


**32.5MHz CATV Filter**  
**Part Number LBD32.5**

**Typical Performance**



Horizontal: 0.5MHz/Div  
 Vertical: 10dB/Div

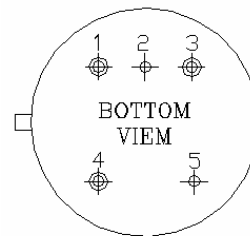
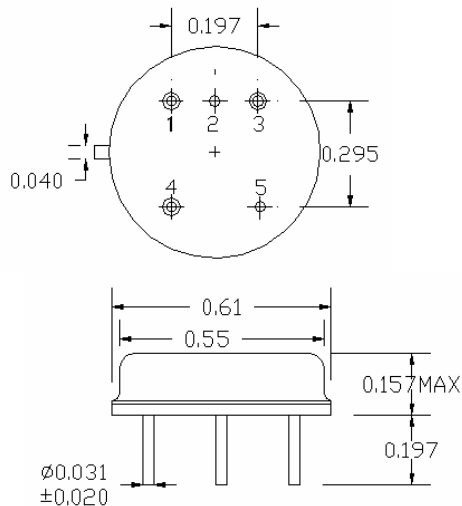


Horizontal: 0.5MHz/Div  
 Vertical: 200us/Div

**Specifications**

Parameter	Unit	Minimum	Typical	Maximum
Center Frequency	MHz	32.45	32.50	32.55
Insertion Loss at F <sub>0</sub>	dB	16.5	17.5	
1 dB Bandwidth	MHz	0.35	0.36	
3 dB Bandwidth	MHz	0.60	0.65	
40dB Bandwidth	MHz		1.95	1.97
Passband Variation	dB		0.2	
Group Delay Variation	nsec		100	200
Absolute Delay	usec		2.8	
Ultimate Rejection	dB	42	50	
Substrate Material	-		112-LiTaO <sub>3</sub>	
Ambient Temperature	°C	-55	25	85

**Package SFA02**



SFA02  
 IN: 4  
 OUT: 3  
 GND: 1,2,5