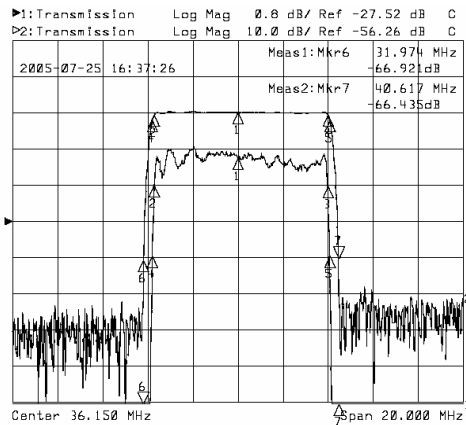


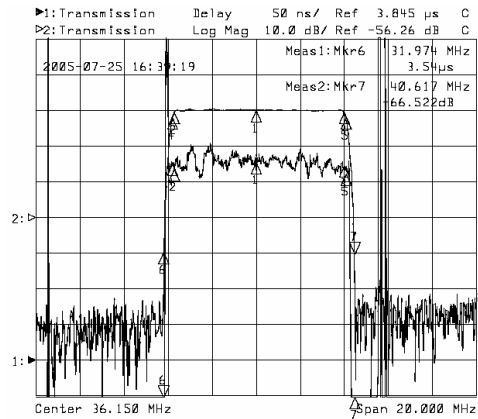
# 36.15 MHz CATV Filter

## Part Number 036078

### Typical Performance



Horizontal: 2MHz/Div  
Vertical: 1.0db&10dB/Div

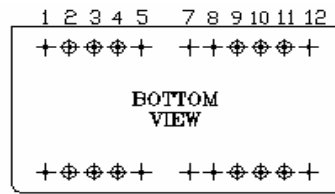
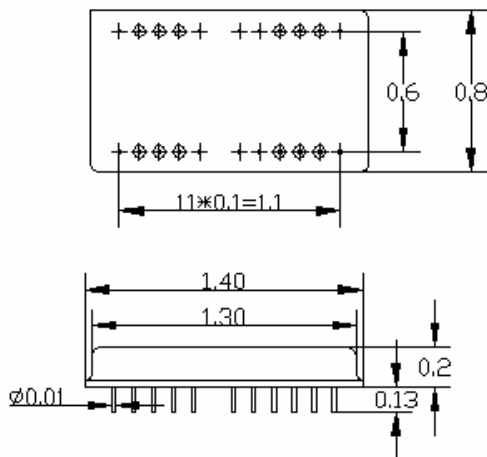


Horizontal: 2MHz/Div  
Vertical: 50nsec/Div

### Specifications

Parameter	Unit	Minimum	Typical	Maximum
Center Frequency	MHz	36.10	36.15	36.20
Insertion Loss at F <sub>0</sub>	dB		26.5	28.0
1 dB Bandwidth	dB	7.60	7.65	
3 dB Bandwidth	dB	7.75	7.86	
40 dB Bandwidth	dB		8.65	8.75
Passband Variation	dB		0.6	0.8
Group Delay Variation	nsec		45	55
Absolute Delay	usec		4.0	
Ultimate Rejection(41.8-100MHz)	dB	48	50	
Substrate Material	-		128-LiNbO <sub>3</sub>	
Ambient Temperature	°C	-40	50	80

### Package



- 2423222120 181716151413
- 2 INPUT-GROUND
  - 3 INPUT
  - 14 OUTPUT-GROUND
  - 15 OUTPUT
  - 4,9,10,11,16,21,22,23 NOT CONNECTED
  - 1,5,7,8,12,13,17,18,20,24 CHIP CARRIER-GROUND

NO Matching Required  
Source/load Impedance=50ohm  
Package Style XR