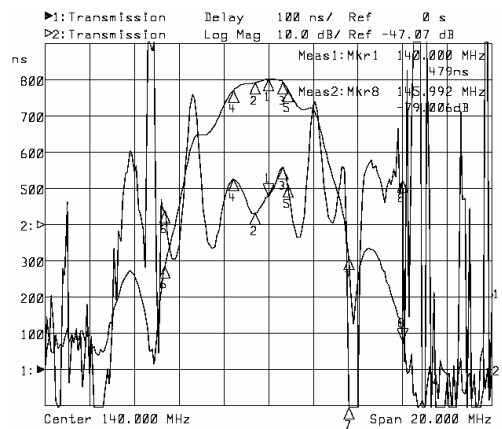
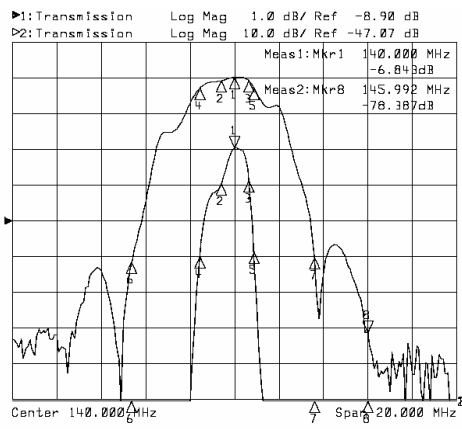


140 MHz Low-loss Filter

Part Number 140024L

Typical Performance

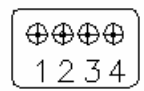
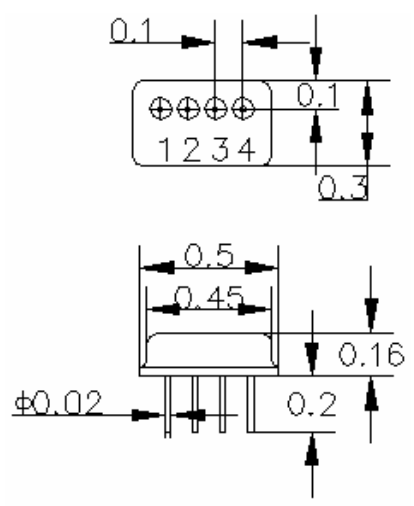


Horizontal: 2.0MHz/Div Vertical: 10dB/Div Horizontal: 2.0MHz/Div Vertical: 100nsec/Div
 Note: All the data shown are for two SAW filters in cascaded configuration

Specifications

Parameter	Unit	Minimum	Typical	Maximum
Center Frequency	MHz	139.9	140	140.1
Insertion Loss at F ₀	dB		6.8	7.0
1 dB Bandwidth	MHz	1.20	1.24	
3 dB Bandwidth	MHz	2.40	2.44	
50dB Bandwidth	MHz		8.22	8.30
Passband Variation	dB		0.2	0.5
Group Delay Variation	nsec		150	200
Absolute Delay	usec		0.6	
Ultimate Rejection	dB		70	80
Substrate Material	-		128LiNbO3	
Ambient Temperature	°C		25	

Package SB-7



SB-7 IN (OUT) : 1
 OUT (IN) : 4
 GND : 2, 3